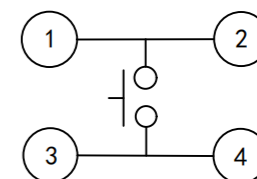
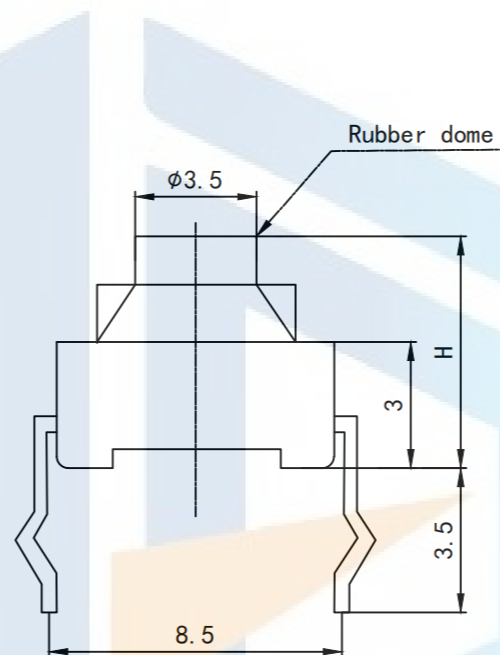
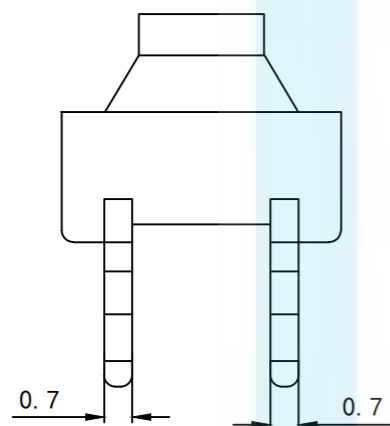
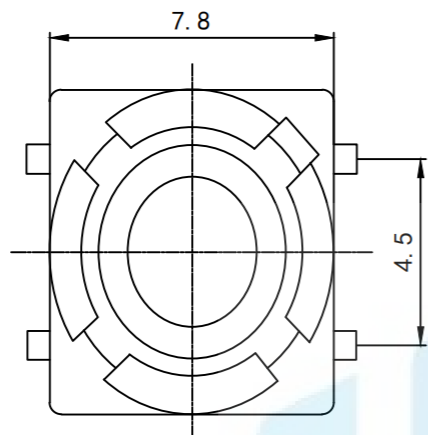
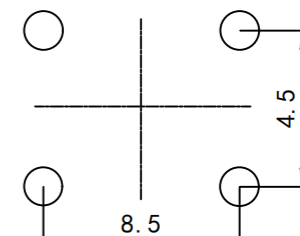


RoHS2.0
Compliant ✓



Circuit Diagram



P. C. B. Land Pattern

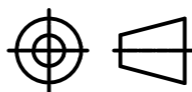
SPECIFICATION

1. Temperature $-30\sim+85$
2. Rated Load DC 12V 50mA
3. Contact Resistance 0.05'
4. Insulation Resistance 100M!
5. Withstand Voltage AC 250V(50Hz)/min
6. Actuating Force
7. Life 100000

TOLERANCE

X. XXX	± 0.05
X. XX	± 0.15
X. X	± 0.20
X.	± 0.30
ANGLE	$\pm 5.0^\circ$

PROTECTON



东莞市恒祺电子科技有限公司

Dongguan Hengqi Electronic Technology Co., Ltd

<https://www.hq-dz.com>

phone:15812872448

TITLE:

轻触开关 硅胶

PART NO:HQ-TS-F004

DRAWING NO:7.8*8*5

DRAWN:

DATE:

18-10-08

UNIT:
mm

CHECKED:

DATE:

18-10-08

SCALE:
FULL

APPROVED:

DATE:

18-10-08

SIZE:
A4