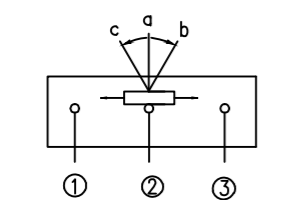
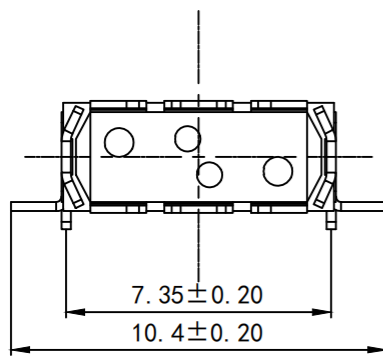
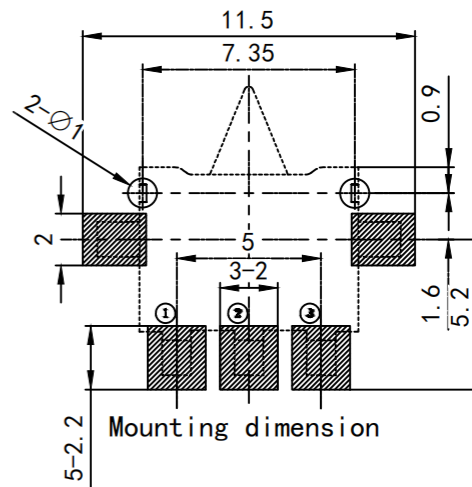
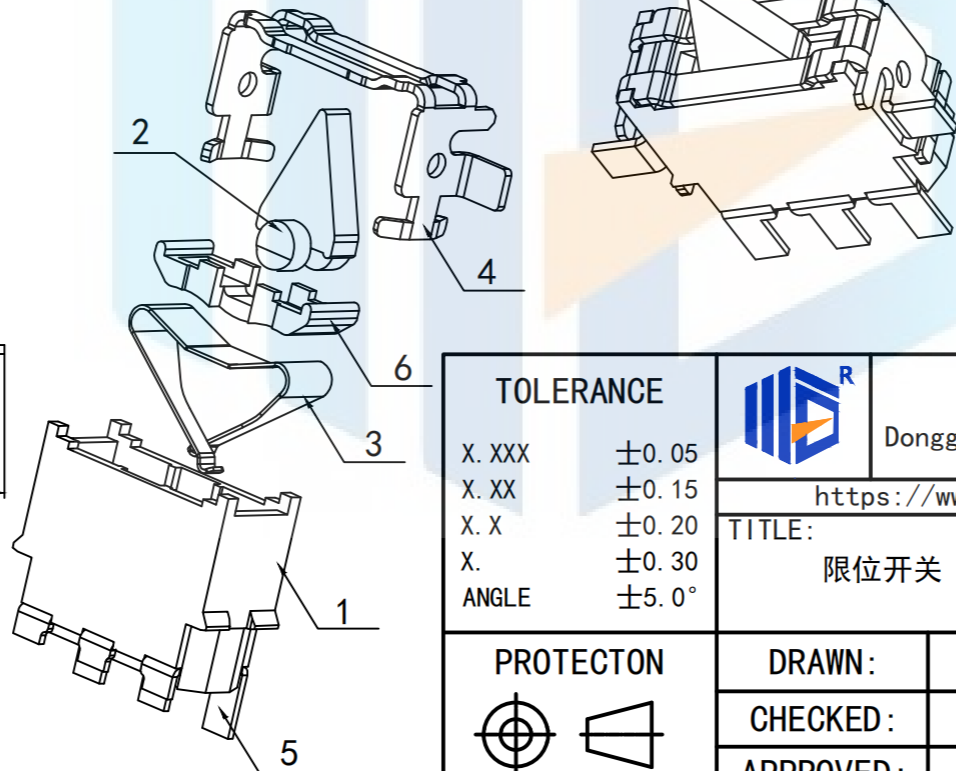
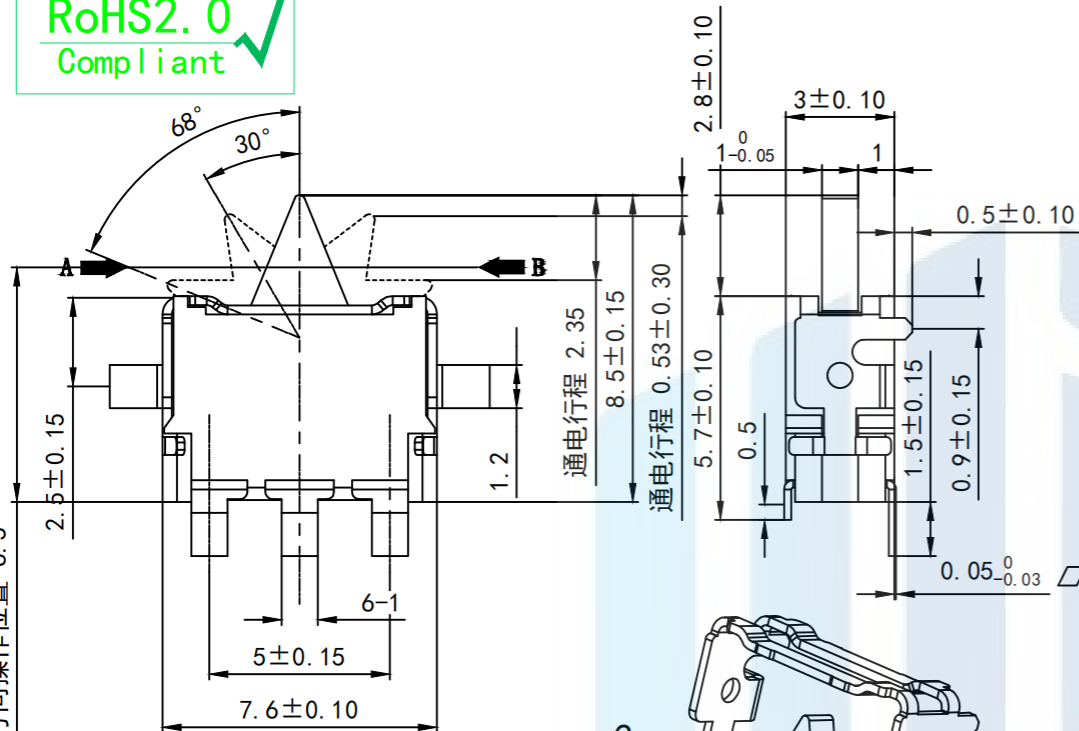


RoHS2.0
Compliant


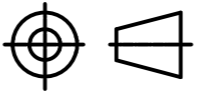
Technical requirement

- 1, Rated voltage:12V (DC)
Rated current:0.5A
- 2, Switch voltage:AC100V 1 minute, no breakdown and flashover phenomenon
- 3, Switch insulation resistance: $\geq 50M\Omega$
- 4, Switch contact resistance: $\leq 100m\Omega$
- 5, Switch action force: $30g \pm 10g$
- 6, Electrical life requirements of the switch ≥ 50000
- 7, Did not note the size tolerance according to GB/T1804-m class accuracy requirements

水平方向操作位置 6.5



Circuit diagram

TOLERANCE			东莞市恒祺电子科技有限公司		
X. XXX	±0.05		Dongguan Hengqi Electronic Technology Co., Ltd		
X. XX	±0.15		https://www.hq-dz.com phone:15812872448		
X. X	±0.20		TITLE: 限位开关		
X.	±0.30		PART NO: HQ-KFC-V-17DT		
ANGLE	±5.0°	DRAWING NO: 7.6*5.7*3			
PROTECTON		DRAWN:	DATE:	18-10-08	UNIT: mm
		CHECKED:	DATE:	18-10-08	SCALE: FULL
		APPROVED:	DATE:	18-10-08	SIZE: A4