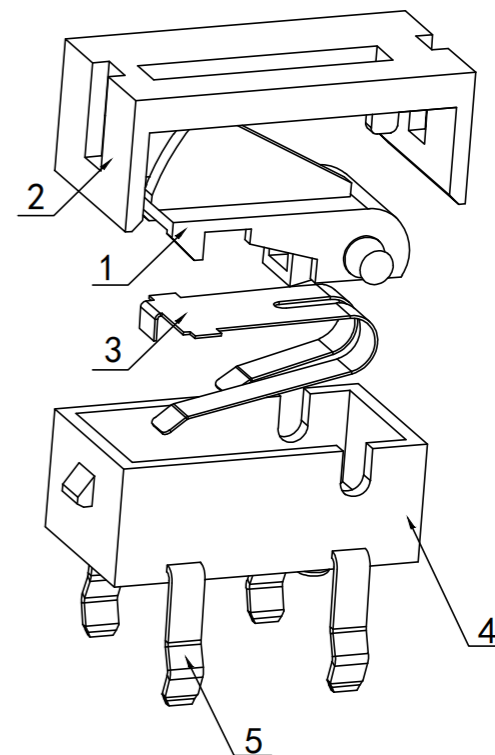
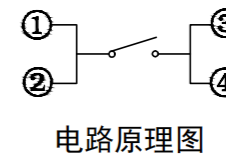
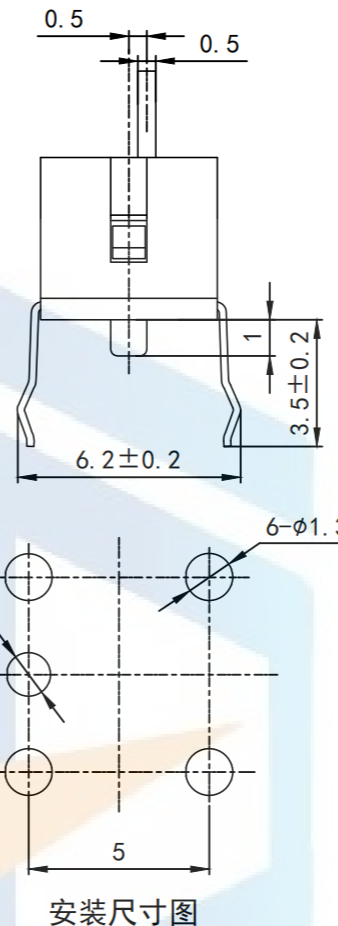
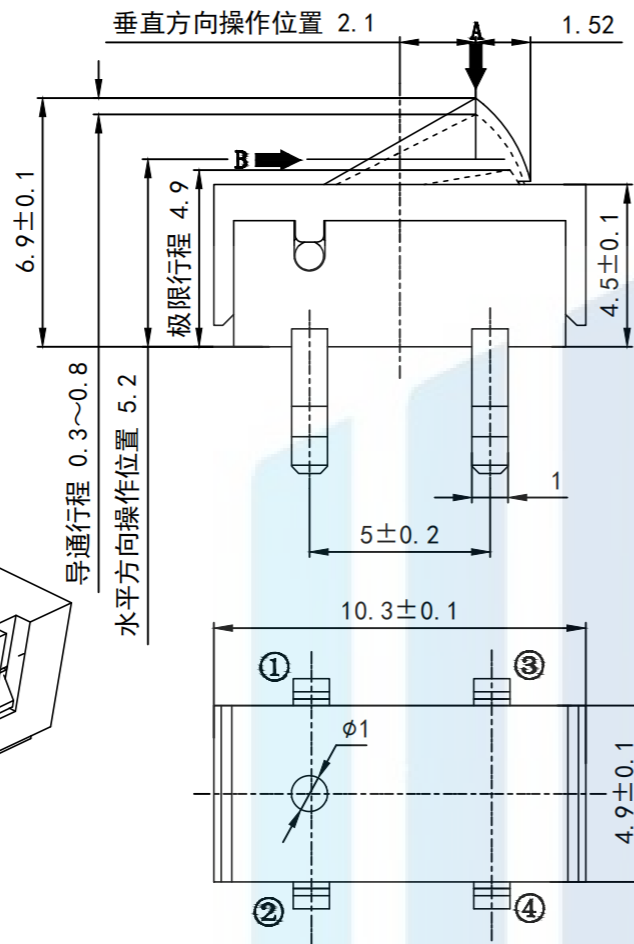
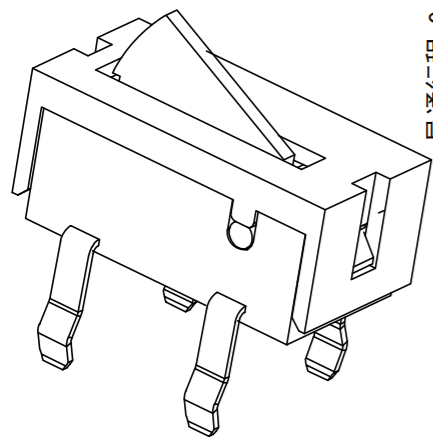


RoHS2.0  
Compliant



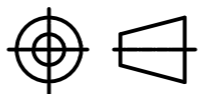
Technical requirements

1. Rated voltage: 16V (DC)
2. Rated current: 0.5A
3. Switching insulation resistance:  $\geq 50M\Omega$
4. Switch contact electric positive:  $\leq 200m\Omega$
5. The life of the switch is required  $\geq 20,000$  cycles
6. The unmarked dimensional tolerance is required by GB/T1804-m level accuracy

TOLERANCE

X. XXX	±0.05
X. XX	±0.15
X. X	±0.20
X.	±0.30
ANGLE	±5.0°

PROTECTON



东莞市恒祺电子科技有限公司

Dongguan Hengqi Electronic Technology Co., Ltd

<https://www.hq-dz.com>

phone:15812872448

TITLE:  
限位开关

PART NO:HQ-KFC-V-105插脚

DRAWING NO:10.3\*4.9\*4.5

DRAWN:

DATE: 18-10-08

UNIT:  
mm

CHECKED:

DATE: 18-10-08

SCALE:  
FULL

APPROVED:

DATE: 18-10-08

SIZE:  
A4