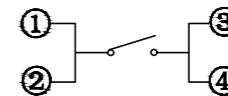
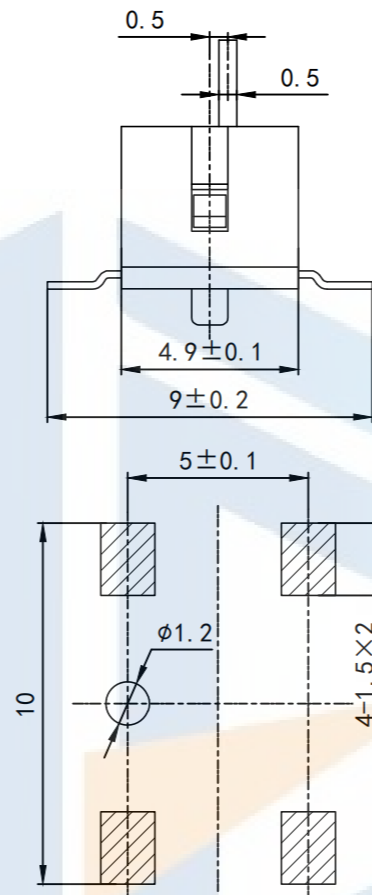
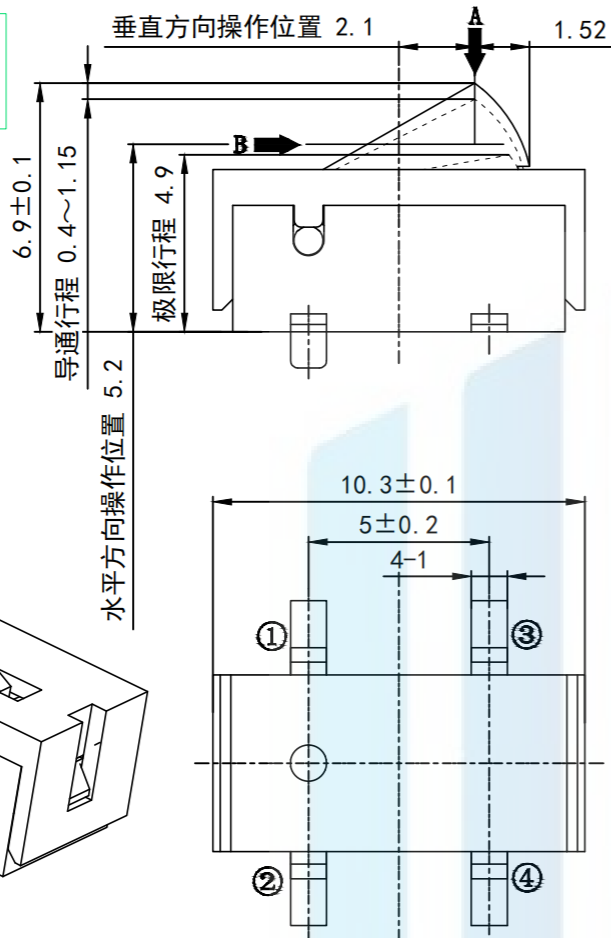
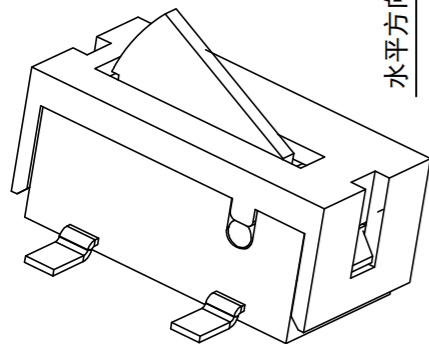
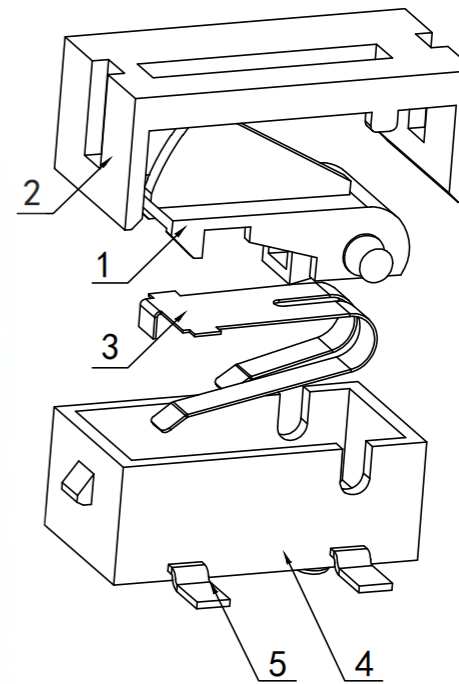


RoHS2.0
Compliant



电路原理图



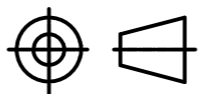
Technical requirements

- Rated voltage: 16V (DC)
- Rated current: 0.5A
- Switching insulation resistance: $\geq 50M\Omega$
- Switch contact electric positive: $\leq 200m\Omega$
- Switching force: $30g \pm 10g$
- The life of the switch is required $\geq 20,000$ cycles
- The unmarked dimensional tolerance is required by GB/T1804-m level accuracy

TOLERANCE

X. XXX	± 0.05
X. XX	± 0.15
X. X	± 0.20
X.	± 0.30
ANGLE	$\pm 5.0^\circ$

PROTECTON



东莞市恒祺电子科技有限公司

Dongguan Hengqi Electronic Technology Co., Ltd

<https://www.hq-dz.com>

phone: 15812872448

TITLE:

限位开关

PART NO: HQ-KFC-V-105贴片单柱

DRAWING NO: 10.3*4.9*4.5

DRAWN:

DATE: 18-10-08

UNIT: mm

CHECKED:

DATE: 18-10-08

SCALE: FULL

APPROVED:

DATE: 18-10-08

SIZE: A4