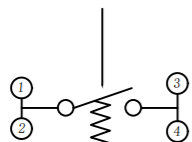
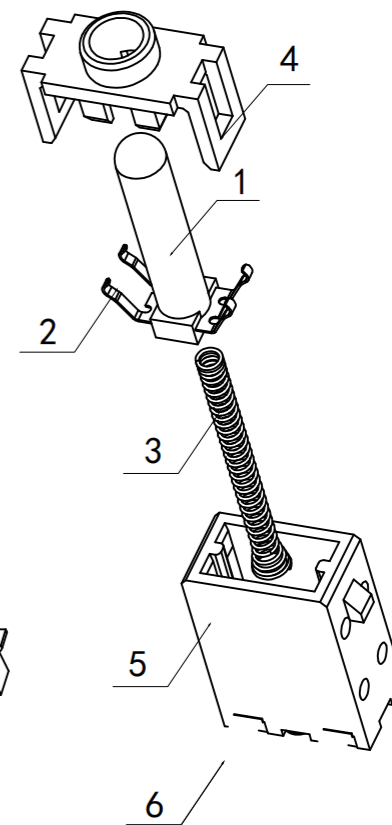
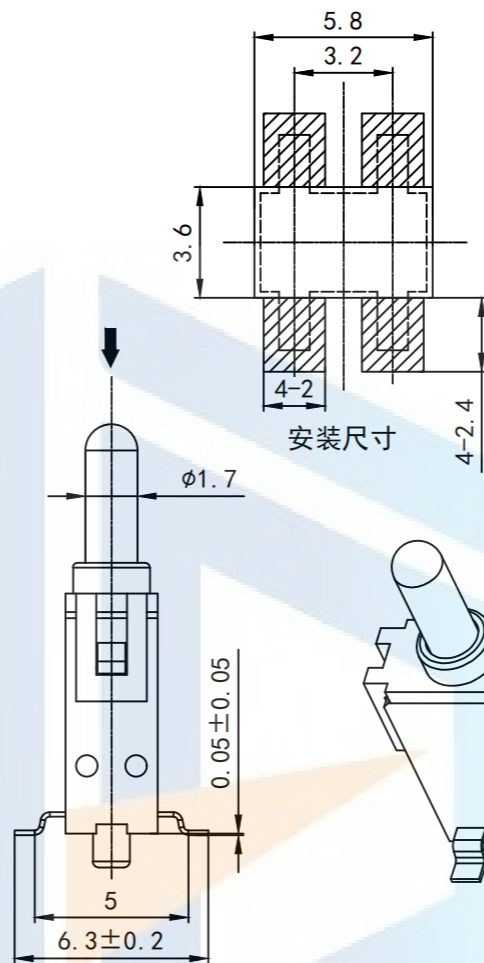
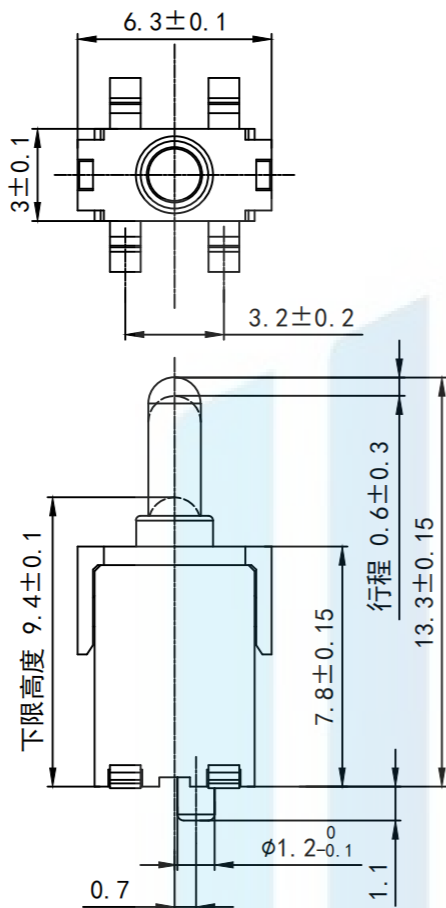


RoHS2.0
Compliant



电路图

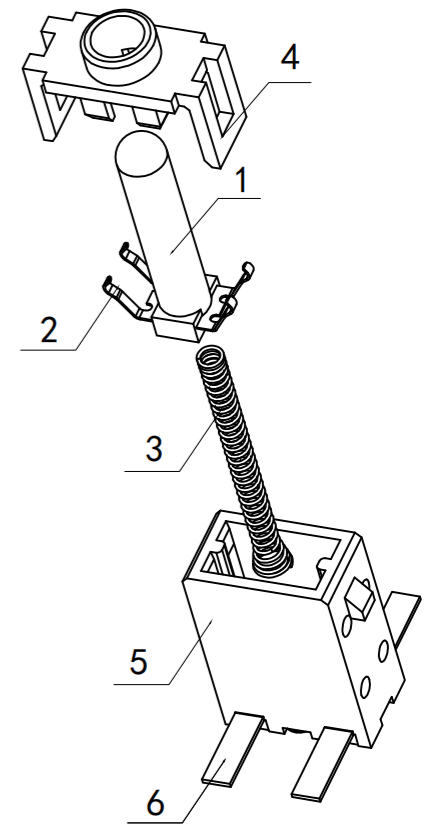
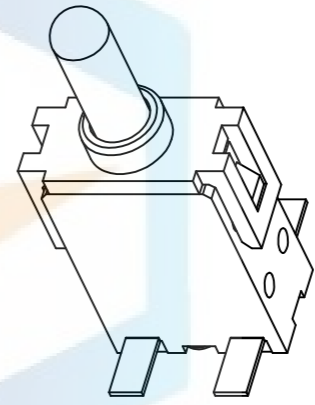
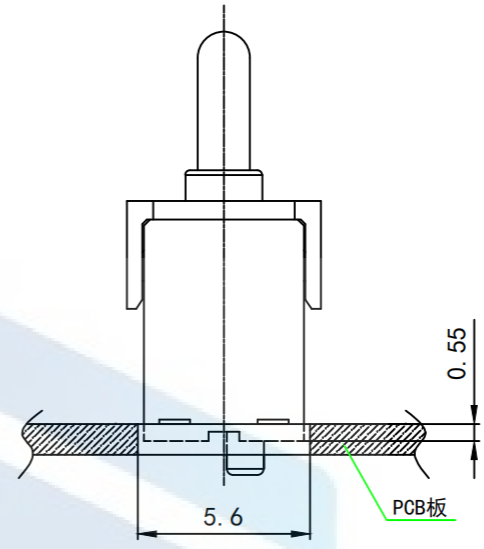
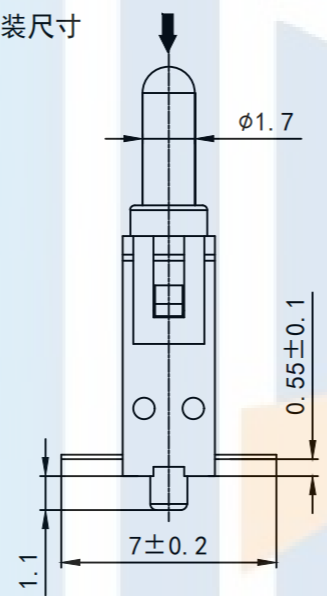
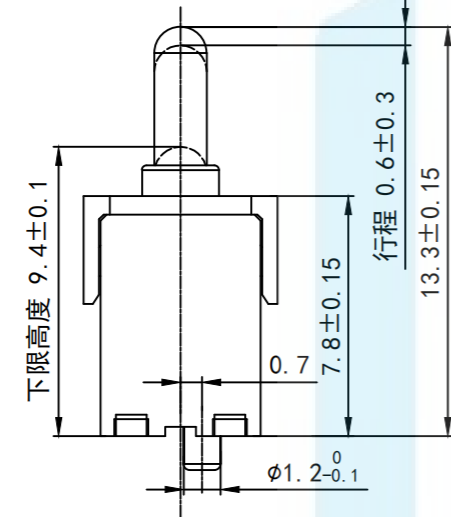
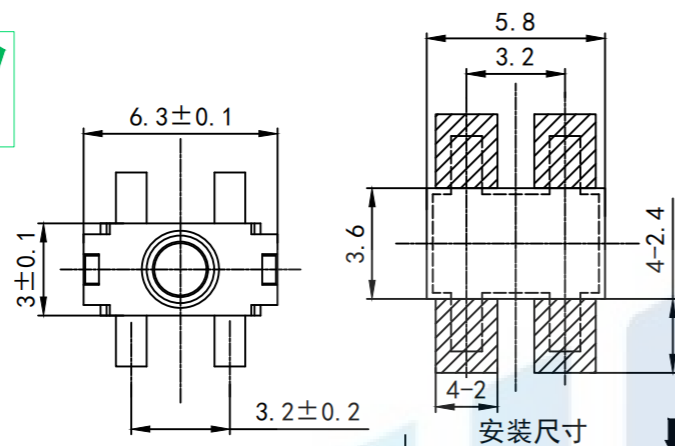
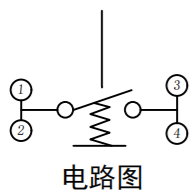


Technical requirements

- Rated voltage: 16V (DC)
Rated current: 0.5A
- Switching insulation resistance: $\geq 50M\Omega$
- Switch contact resistance: $\leq 200m\Omega$
- Withstand voltage: AC 250V(50Hz)/min
- Driving force: $90g \pm 20g$
- life span: 20000 cycles.
- The unmarked dimensional tolerance is required according to GB/T1804-m level accuracy

TOLERANCE	X. XXX	± 0.05		东莞市恒祺电子科技有限公司 Dongguan Hengqi Electronic Technology Co., Ltd	
	X. XX	± 0.15		https://www.hq-dz.com phone: 15812872448	
	X. X	± 0.20	TITLE: 限位开关		PART NO: HQ-KFC-V-108H贴片
	X.	± 0.30			DRAWING NO: 6.3*3*7.8
	ANGLE	$\pm 5.0^\circ$			
PROTECTON 	DRAWN:		DATE:	18-10-08	UNIT: mm
	CHECKED:		DATE:	18-10-08	SCALE: FULL
	APPROVED:		DATE:	18-10-08	SIZE: A4

RoHS2.0
Compliant



Technical requirements

- Rated voltage: 16V (DC)
Rated current: 0.5A
- Switching insulation resistance: $\geq 50M\Omega$
- Switch contact resistance: $\leq 200m\Omega$
- Withstand voltage: AC 250V(50Hz)/min
- Driving force: $90g \pm 20g$
- life span: 20000 cycles.
- The unmarked dimensional tolerance is required according to GB/T1804-m level accuracy

TOLERANCE	X. XXX	±0.05		东莞市恒祺电子科技有限公司 Dongguan Hengqi Electronic Technology Co., Ltd	
	X. XX	±0.15		https://www.hq-dz.com phone: 15812872448	
	X. X	±0.20	TITLE: 限位开关		PART NO: HQ-KFC-V-108H平脚
	X.	±0.30			DRAWING NO: 6.3*3*7.8
	ANGLE	±5.0°			
PROTECTON 	DRAWN:		DATE:	18-10-08	UNIT: mm
	CHECKED:		DATE:	18-10-08	SCALE: FULL
	APPROVED:		DATE:	18-10-08	SIZE: A4