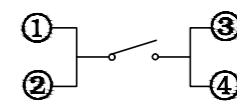
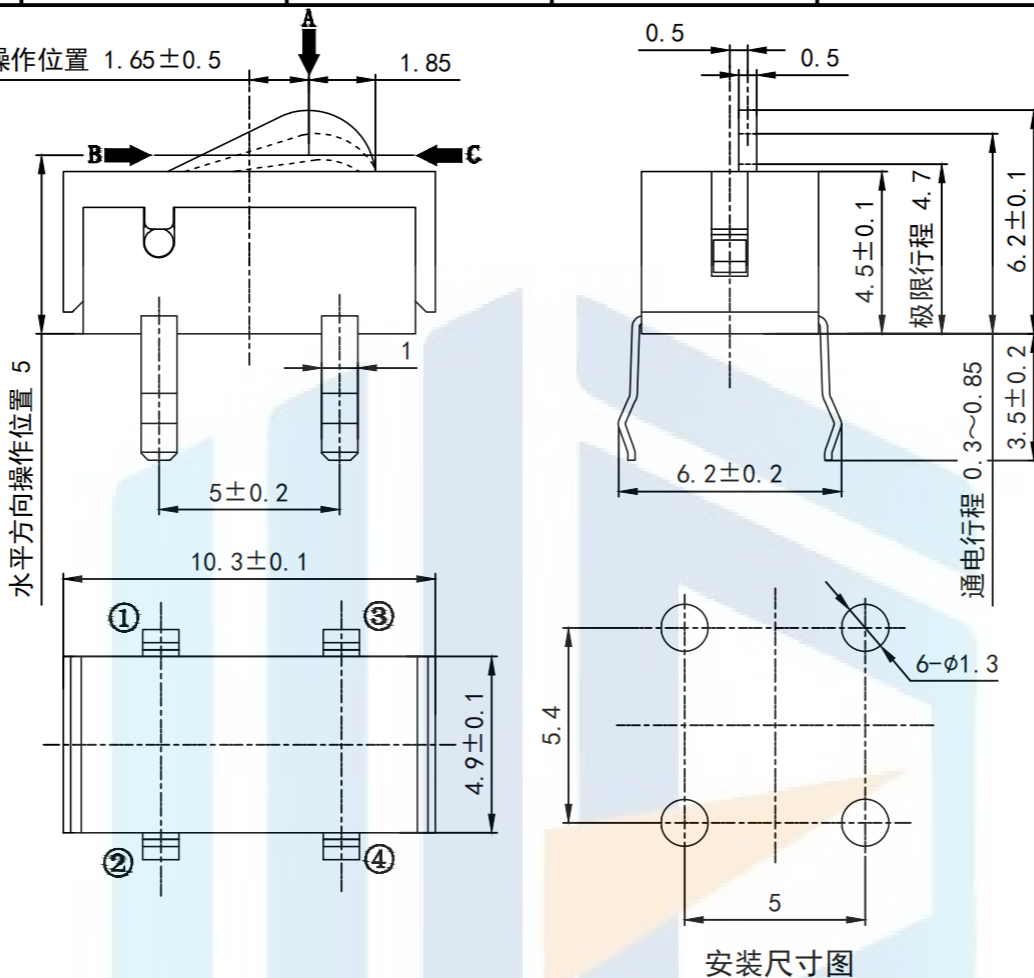
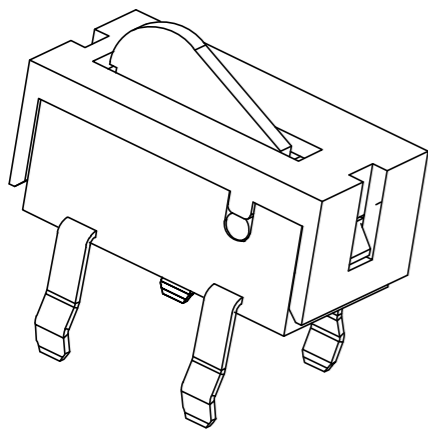
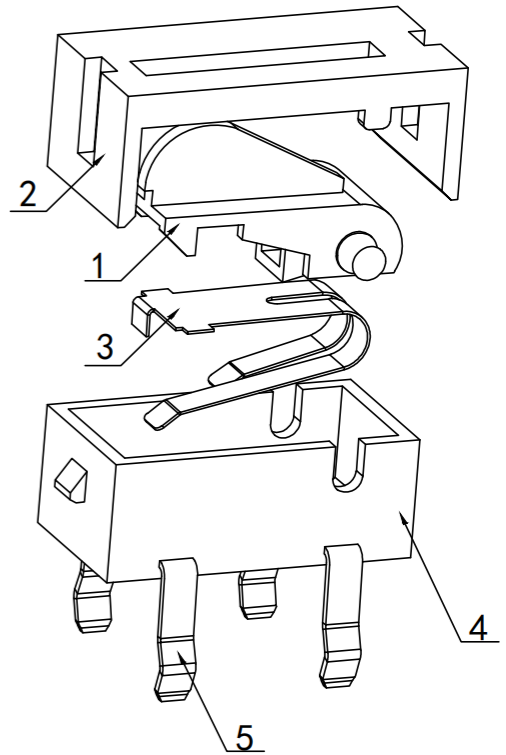


RoHS2.0
Compliant

垂直向下方向操作位置 1.65 ± 0.5 1.85



电路原理图



安装尺寸图

Technical requirements

1. Rated voltage: 16V (DC)
2. Rated current: 0.5A
3. Switching insulation resistance: $\geq 50M\Omega$
3. Switch contact electric positive: $\leq 200m\Omega$
4. Switching force: $30g \pm 10g$
5. The life of the switch is required $\geq 50,000$ cycles
6. The unmarked dimensional tolerance is required by GB/T1804-m level accuracy

TOLERANCE			东莞市恒祺电子科技有限公司		
X. XXX	± 0.05		Dongguan Hengqi Electronic Technology Co., Ltd		
X. XX	± 0.15	https://www.hq-dz.com		phone: 15812872448	
X. X	± 0.20	TITLE: 限位开关		PART NO: HQ-KFC-V-105圆头无柱	
X.	± 0.30			DRAWING NO: 10.3*4.9*4.5	
ANGLE	$\pm 5.0^\circ$				
PROTECTON		DRAWN:	DATE:	18-10-08	UNIT: mm
		CHECKED:	DATE:	18-10-08	SCALE: FULL
		APPROVED:	DATE:	18-10-08	SIZE: A4