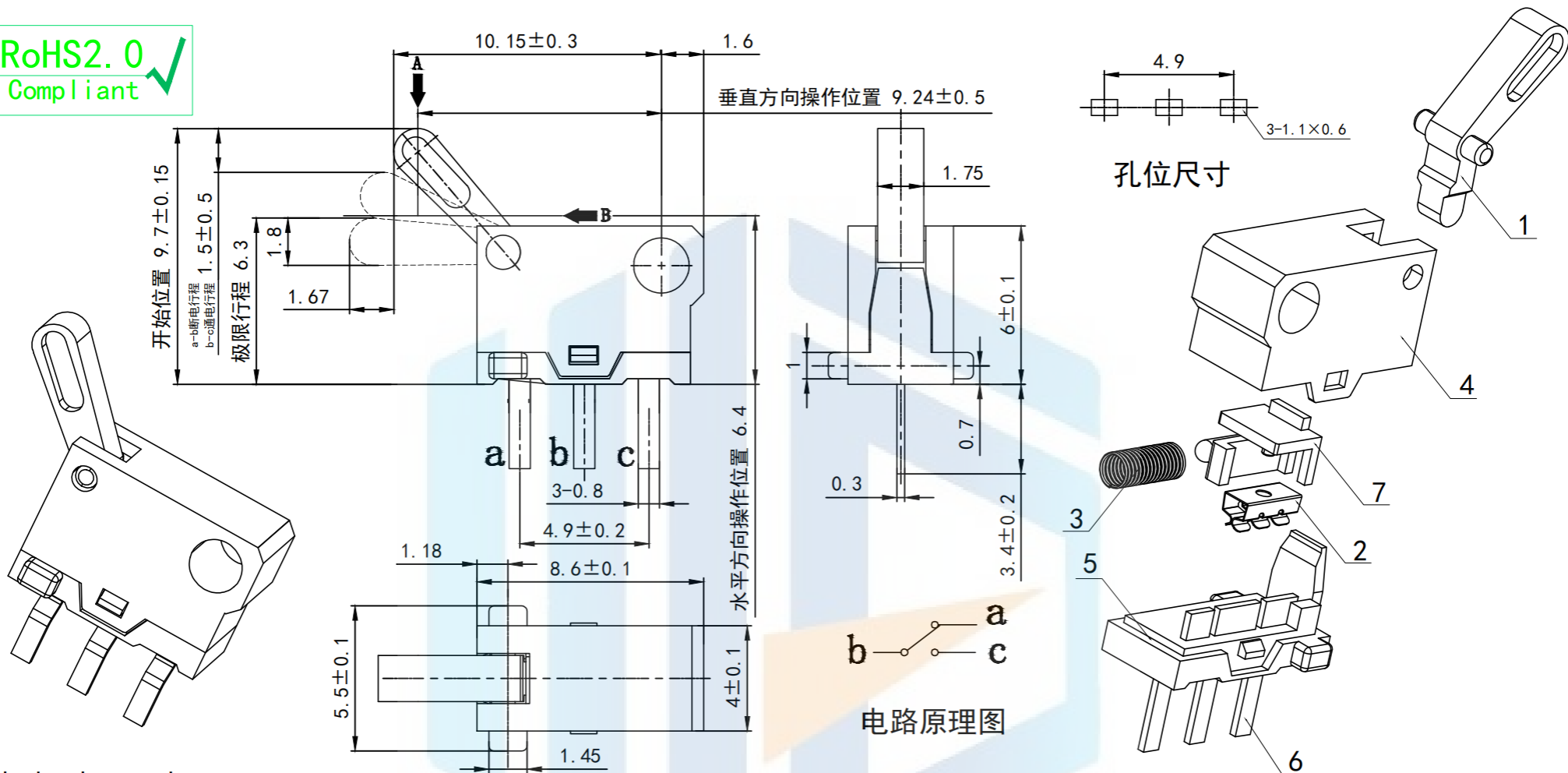

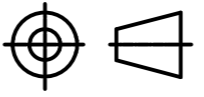


RoHS2.0
Compliant

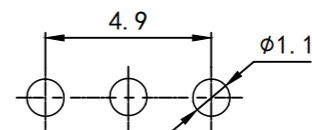
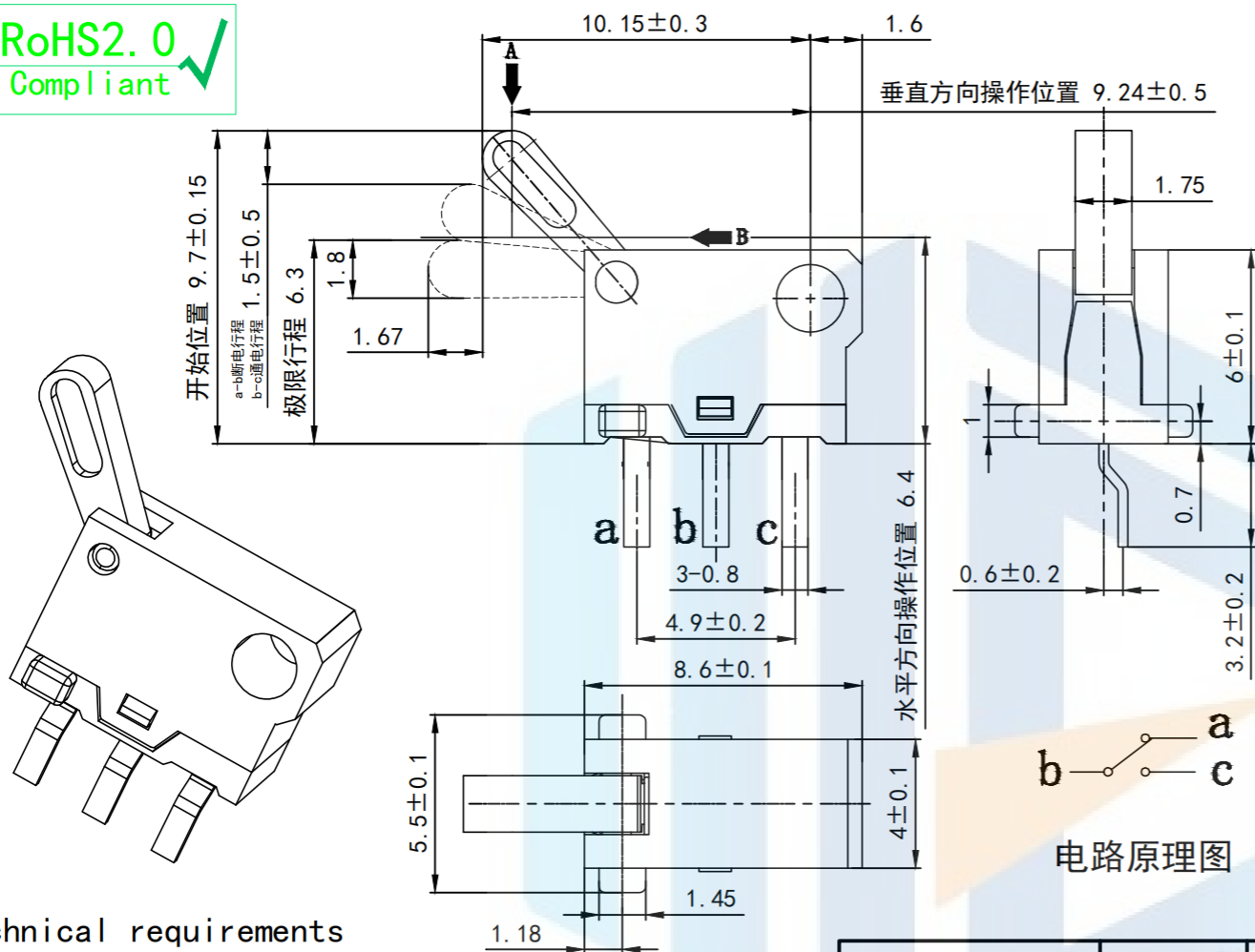


Technical requirements

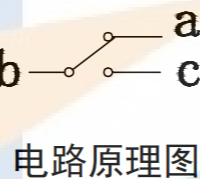
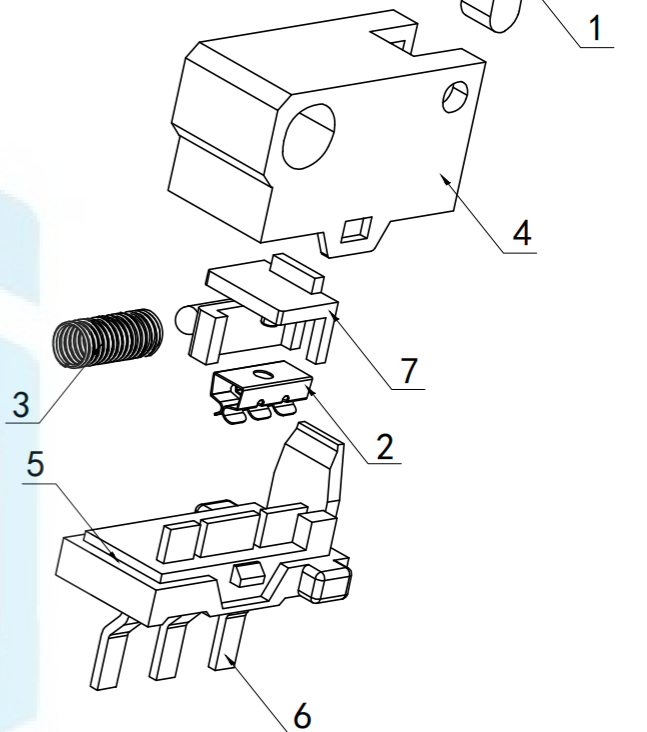
- Rated voltage: 16V (DC)
Rated current: 0.5A
- Switching insulation resistance: $\geq 50M\Omega$
- Switch contact resistance: $\leq 200m\Omega$
- Withstand voltage: AC 250V (50Hz)/min
- Driving force: $40g \pm 10g$
- life span: 20000 cycles.
- The unmarked dimensional tolerance is required according to GB/T1804-m level accuracy

TOLERANCE	X. XXX	±0.05		东莞市恒祺电子科技有限公司	
	X. XX	±0.15		Dongguan Hengqi Electronic Technology Co., Ltd	
X. X	±0.20		https://www.hq-dz.com	phone: 15812872448	
X.	±0.30		TITLE: 限位开关	PART NO: HQ-KFC-V-306	
ANGLE	±5.0°			DRAWING NO: 8.6*4*4.4	
PROTECTON 	DRAWN:		DATE:	18-10-08	UNIT: mm
	CHECKED:		DATE:	18-10-08	SCALE: FULL
	APPROVED:		DATE:	18-10-08	SIZE: A4

RoHS2.0
Compliant



孔位尺寸



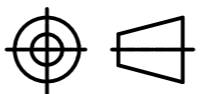
Technical requirements

- Rated voltage: 16V (DC)
Rated current: 0.5A
- Switching insulation resistance: $\geq 50M\Omega$
- Switch contact resistance: $\leq 200m\Omega$
- Withstand voltage: AC 250V (50Hz)/min
- Driving force: $40g \pm 10g$
- life span: 20000 cycles.
- The unmarked dimensional tolerance is required according to GB/T1804-m level accuracy

TOLERANCE

X. XXX	± 0.05
X. XX	± 0.15
X. X	± 0.20
X.	± 0.30
ANGLE	$\pm 5.0^\circ$

PROTECTON



东莞市恒祺电子科技有限公司
Dongguan Hengqi Electronic Technology Co., Ltd

<https://www.hq-dz.com>

phone: 15812872448

TITLE:
限位开关

PART NO: HQ-KFC-V-306弯脚

DRAWING NO: 8.6*4*4.4

DRAWN:

DATE: 18-10-08

UNIT:
mm

CHECKED:

DATE: 18-10-08

SCALE:
FULL

APPROVED:

DATE: 18-10-08

SIZE:
A4