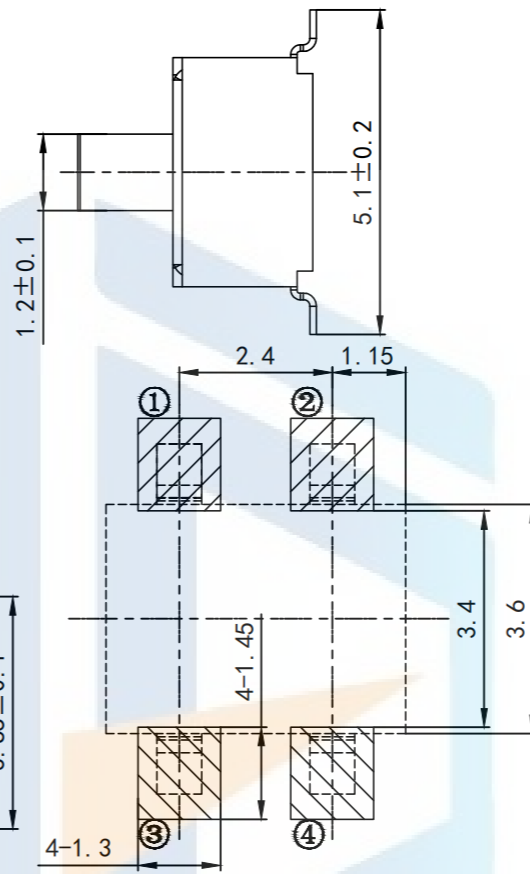
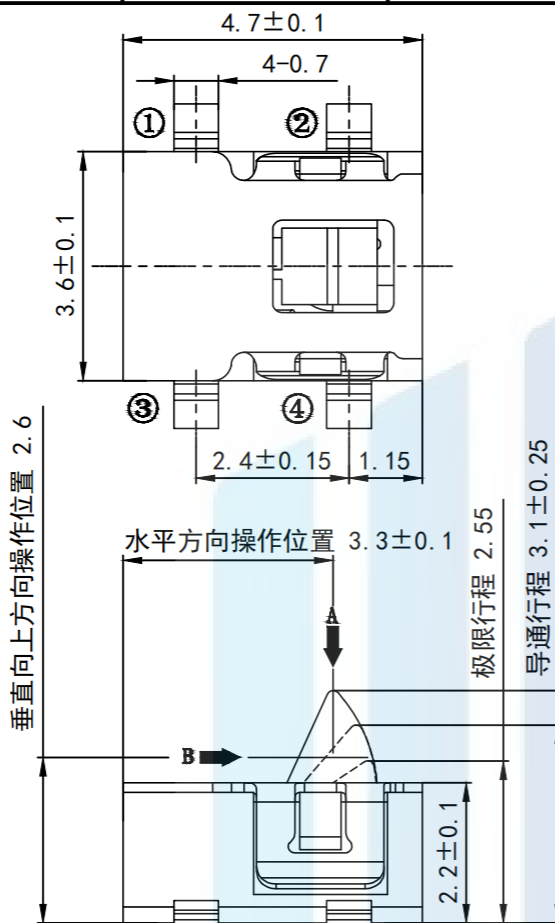
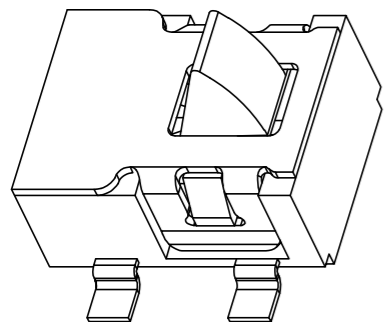
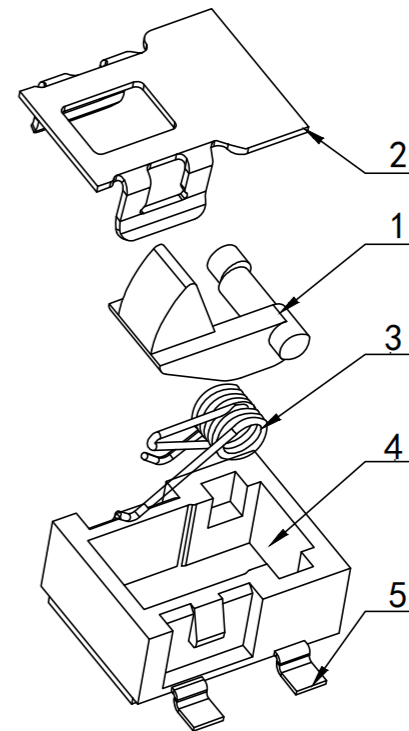
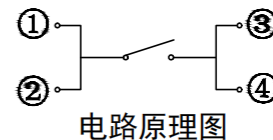


RoHS2.0  
Compliant



安装尺寸图



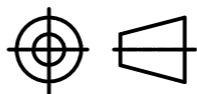
Technical requirements

- Rated voltage: 16V (DC)  
Rated current: 0.5A
- Switching insulation resistance:  $\geq 50M\Omega$
- Switch contact electric positive:  $\leq 500m\Omega$
- Switching force:  $30g \pm 10g$
- The life of the switch is required: 50,000 cycles
- The unmarked dimensional tolerance is required by GB/T1804-m level accuracy

TOLERANCE

X. XXX	$\pm 0.05$
X. XX	$\pm 0.15$
X. X	$\pm 0.20$
X.	$\pm 0.30$
ANGLE	$\pm 5.0^\circ$

PROTECTON



东莞市恒祺电子科技有限公司

Dongguan Hengqi Electronic Technology Co., Ltd

<https://www.hq-dz.com>

phone:15812872448

TITLE:

限位开关

PART NO:HQ-KFC-V-221T无柱

DRAWING NO:4.7\*3.6\*2.2

DRAWN:

DATE:

18-10-08

UNIT:  
mm

CHECKED:

DATE:

18-10-08

SCALE:  
FULL

APPROVED:

DATE:

18-10-08

SIZE:  
A4