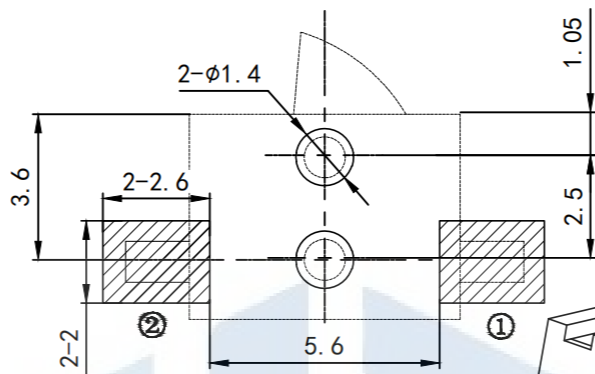
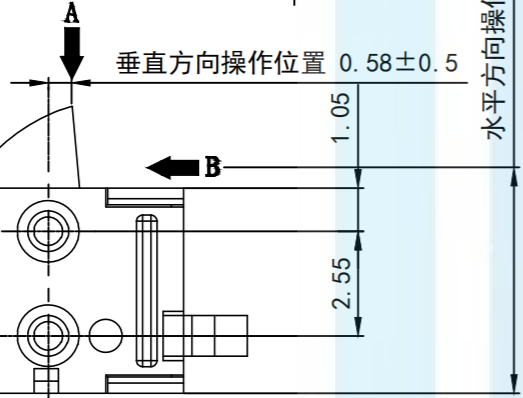
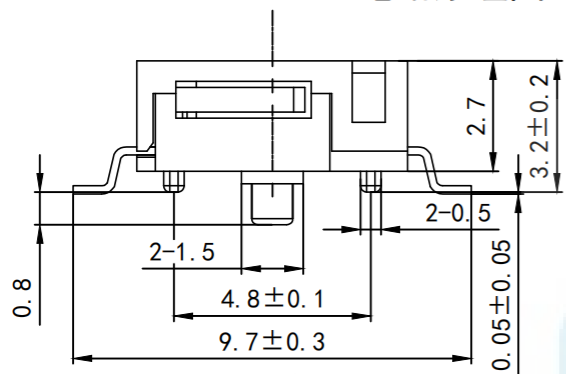
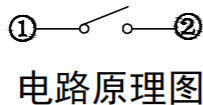
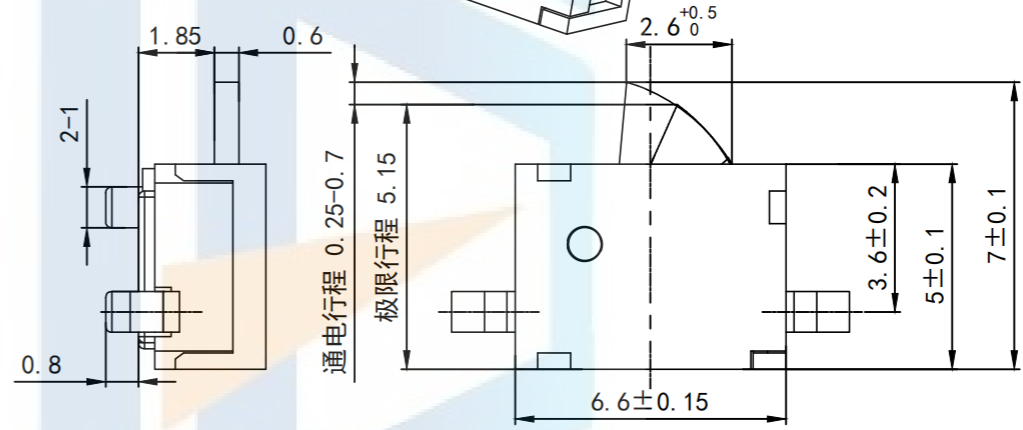
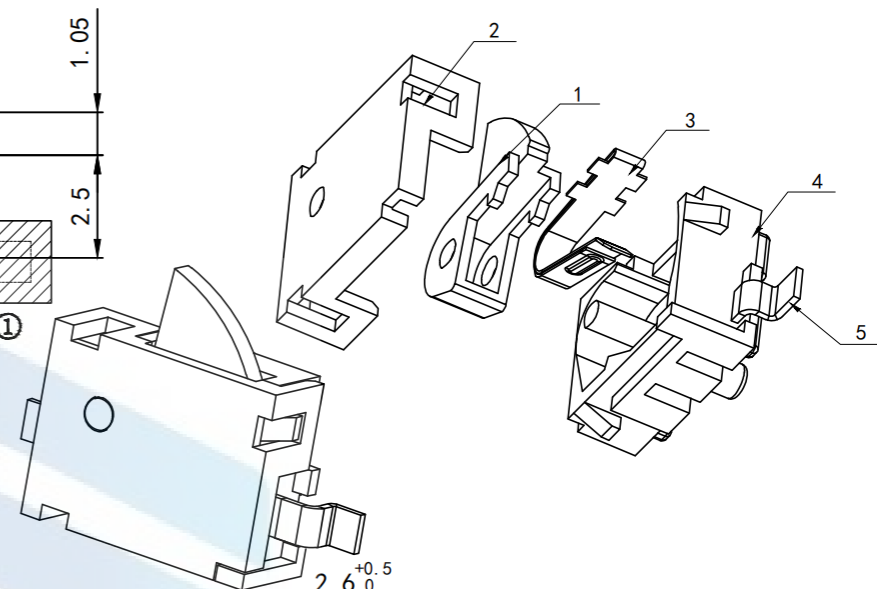


RoHS2.0
Compliant



安装尺寸图



Technical requirements

1. Rated load: DC16V 0.5A
2. Switch withstand voltage: AC250V for 1 minute, Breakdown and flashover do not occur.
3. Switching insulation resistance $\geq 50M\Omega$
4. Switch contact resistance $\leq 200m\Omega$
5. Switching force: $40g \pm 10g$
6. The life of the switch requires $\geq 20,000$ cycles
7. The unmarked dimensional tolerance is required according to GB/T1804-m level accuracy

TOLERANCE	X. XXX	±0.05		东莞市恒祺电子科技有限公司 Dongguan Hengqi Electronic Technology Co., Ltd	
	X. XX	±0.15		https://www.hq-dz.com phone:15812872448	
X. X ±0.20 X. ±0.30 ANGLE ±5.0°	TITLE: 限位开关		PART NO: HQ-KFC-V-405T		
	DRAWN:		DRAWING NO: 9.7*2.7*5		
	CHECKED:		DATE: 18-10-08	UNIT: mm	
PROTECTON 	APPROVED:		DATE: 18-10-08	SCALE: FULL	
			DATE: 18-10-08	SIZE: A4	
			DATE: 18-10-08		