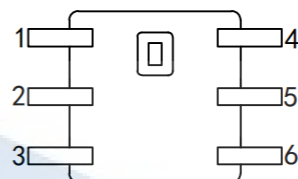
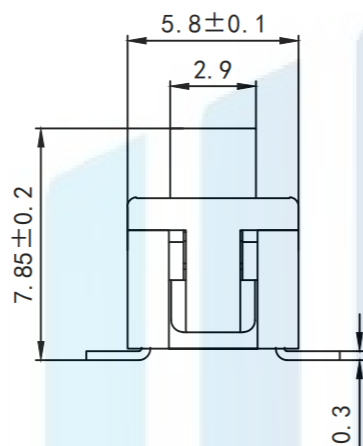
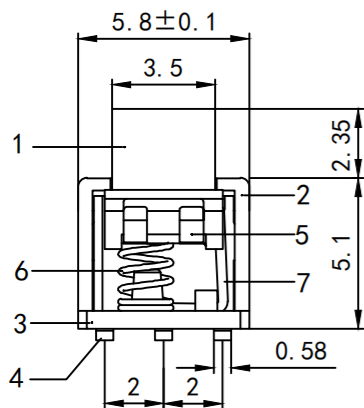
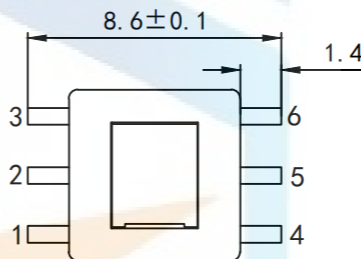
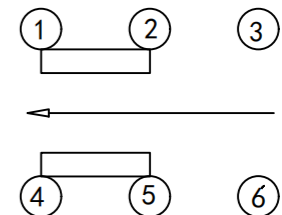


RoHS2.0
Compliant



常态：2与1.5与导通
按下：2与3.5与导通



item

1. Rated electrical load: DC12V 0.1A
2. Insulation resistance: $\geq 100M\Omega$
3. Compressive strength: AC250V (50Hz) 1min
4. Ambient temperature: $-25^{\circ}C \sim +70^{\circ}C$
5. Relative temperature: ($40^{\circ}C$) $\leq 95\%$
6. Contact resistance: $\leq 50M\Omega$
7. Operation force: $190gf \pm 20gf$
8. Temperature resistance: 250°
9. Life: 10000 times

TOLERANCE	X. XXX	± 0.05		东莞市恒祺电子科技有限公司	
	X. XX	± 0.15		Dongguan Hengqi Electronic Technology Co., Ltd	
X. X	± 0.20		https://www.hq-dz.com		phone: 15812872448
X.	± 0.30		TITLE: 按键开关		PART NO: 5.8*5.8平头6脚贴片
ANGLE	$\pm 5.0^{\circ}$		自(无)锁		DRAWING NO: 5.8*5.8*7.85
PROTECTON 	DRAWN:		DATE:	18-10-08	UNIT: mm
	CHECKED:		DATE:	18-10-08	SCALE: FULL
	APPROVED:		DATE:	18-10-08	SIZE: A4