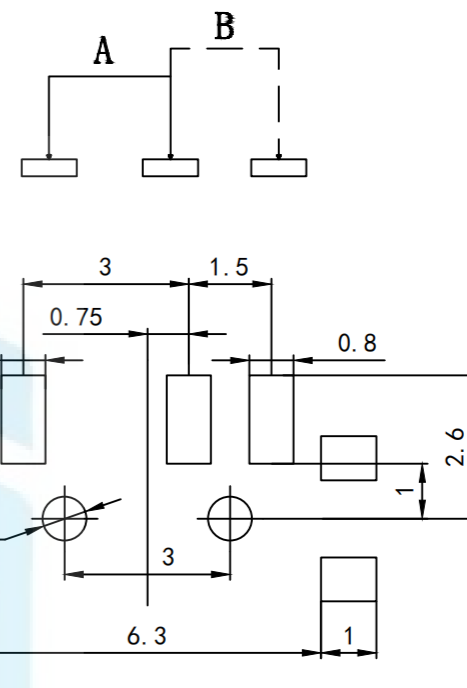
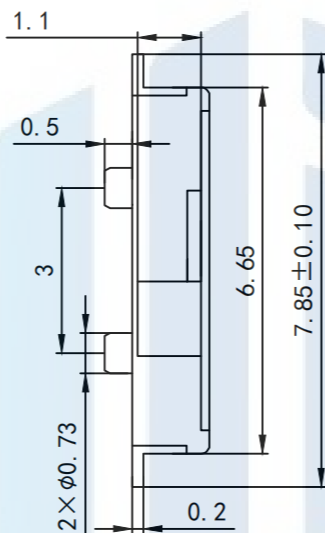
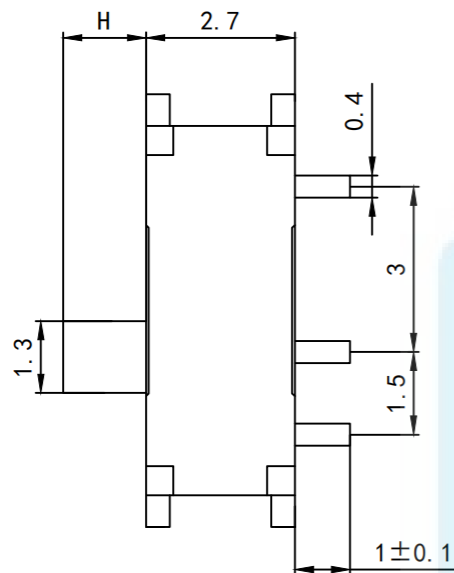


RoHS2.0
Compliant ✓



Technical requirements:

Rated electrical load: DC12V 0.1A

Insulation Resistance: $\geq 100M\Omega$

Compressive Strength: AC250V (50Hz) 1min

Ambient Temperature: $-25^{\circ}C \sim 70^{\circ}C$

Relative humidity: ($40^{\circ}C$) $\leq 95\%$

Contact Resistance: $\leq 50M\Omega$

Actuation: $160gf \pm 20gf$

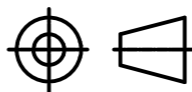
Temperature Resistance: 250°

Life span: 10000 times

TOLERANCE

X. XXX	± 0.05
X. XX	± 0.15
X. X	± 0.20
X.	± 0.30
ANGLE	$\pm 5.0^{\circ}$

PROTECTON



东莞市恒祺电子科技有限公司

Dongguan Hengqi Electronic Technology Co., Ltd

<https://www.hq-dz.com>

phone: 15812872448

TITLE:

迷你拨动开关

PART NO: MSK-12C01卧贴小7脚

DRAWING NO: 6.7*2.7*1.4*H

DRAWN:

DATE:

18-10-08

UNIT:
mm

CHECKED:

DATE:

18-10-08

SCALE:
FULL

APPROVED:

DATE:

18-10-08

SIZE:
A4