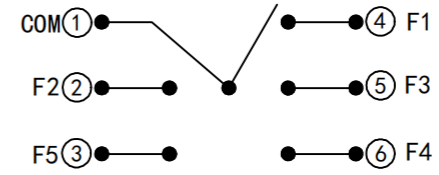
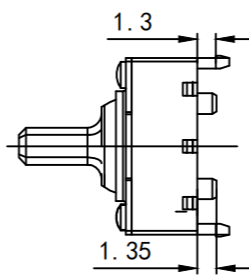
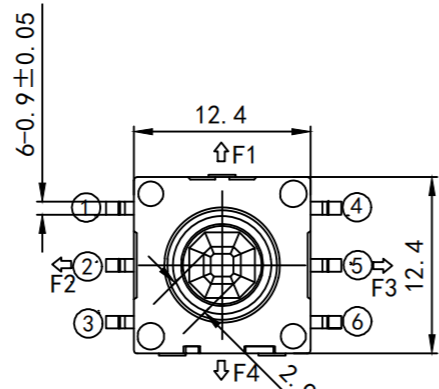
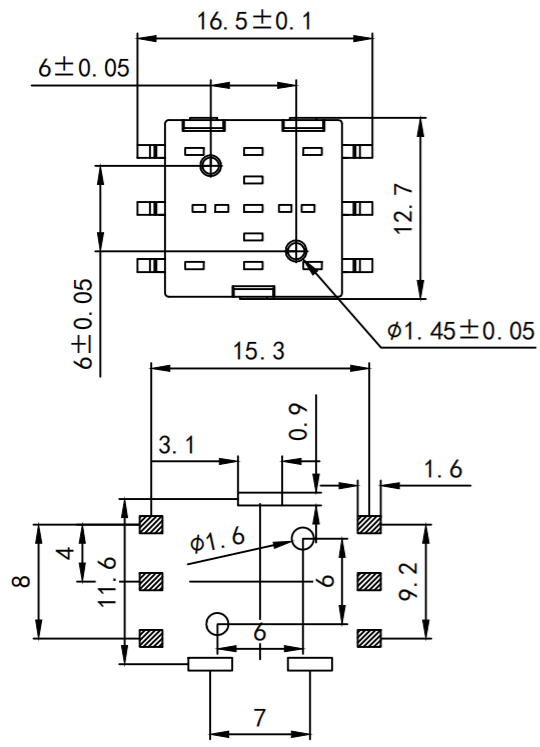
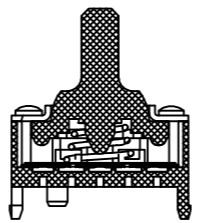
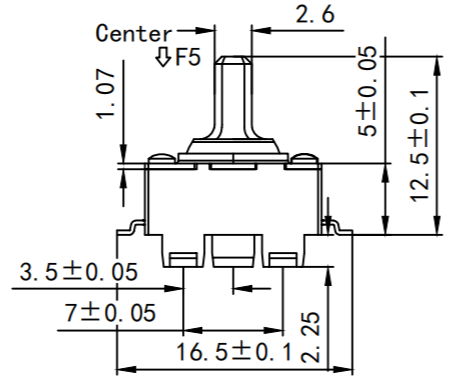


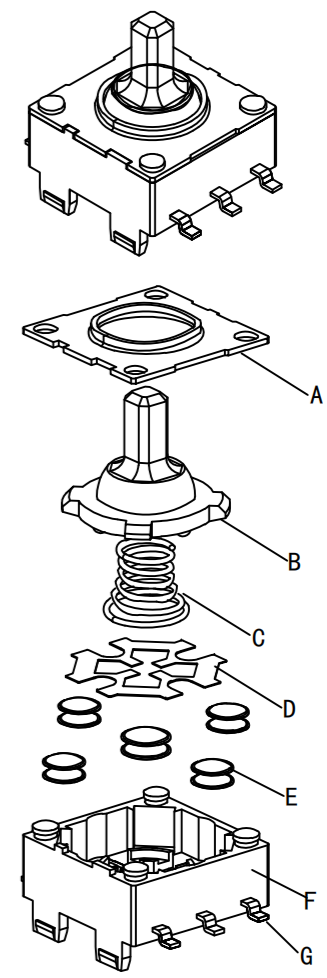
RoHS2.0  
Compliant



电路图



|    |   |   |   |   |   |   |
|----|---|---|---|---|---|---|
|    | 1 | 2 | 3 | 4 | 5 | 6 |
| F1 | ○ |   |   | ○ |   |   |
| F2 | ○ | ○ |   |   |   |   |
| F3 | ○ |   |   |   | ○ |   |
| F4 | ○ |   |   |   |   | ○ |
| F5 | ○ |   | ○ |   |   |   |



- Technical requirement
1. Rated current: 0.1A MAX
  2. Rated voltage: DC 12V
  3. Contact resistance:  $\leq 100m\Omega$
  4. Insulation resistance:  $\geq 100M\Omega$  min (DC100V)
  5. Compressive strength: AC250V 50Hz/1 min
  6. Operation direction: Center:F5, 4D:F1.F2.F3.F4
  7. Operation strength: Center $750 \pm 100gf$ , 4D: $650 \pm 100gf$
  8. Mechanical life: 50000 cycles Min
  9. Operating stroke: Center: $0.9 \pm 0.2mm$
  10. Temperature range:  $-30^{\circ}C \sim +85^{\circ}C$

|           |        |                   |           |   |                   |
|-----------|--------|-------------------|-----------|---|-------------------|
| TOLERANCE | X. XXX | $\pm 0.05$        |           | 东莞市恒祺电子科技有限公司<br>Dongguan Hengqi Electronic Technology Co., Ltd |                   |
|           | X. XX  | $\pm 0.15$        |           | <a href="https://www.hq-dz.com">https://www.hq-dz.com</a>       | phone:15812872448 |
| PROTECTON | X. X   | $\pm 0.20$        | 多功能轻触开关   | PART NO:成品图   |                   |
|           | X.     | $\pm 0.30$        |           | DRAWING NO:HQ-A07-08  |                   |
|           | ANGLE  | $\pm 5.0^{\circ}$ |           | DRAWN:  | DATE: 18-10-08    |
|           |        |                   | CHECKED:  | DATE: 18-10-08  | SCALE: FULL       |
|           |        |                   | APPROVED: | DATE: 18-10-08  | SIZE: A4          |