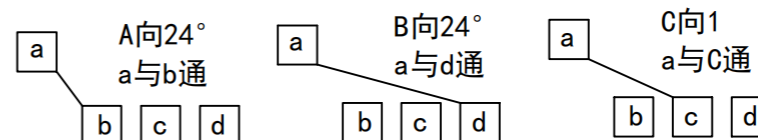
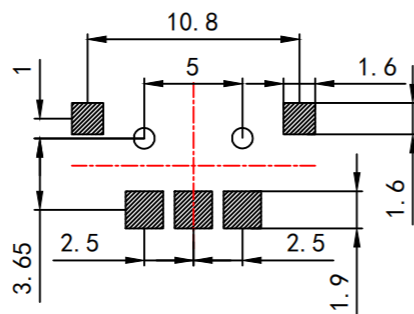
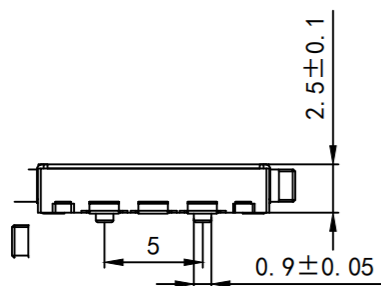
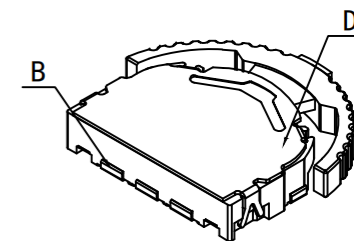
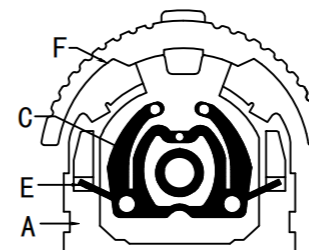
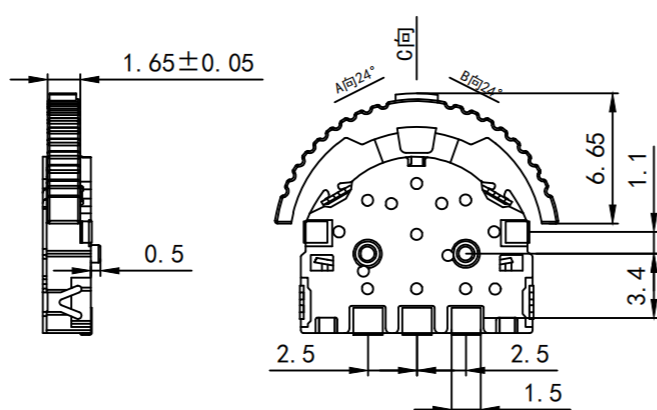
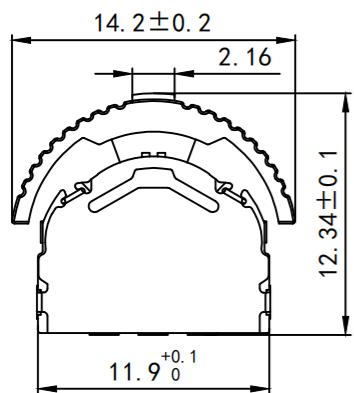

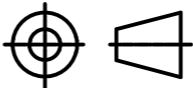


RoHS2.0
Compliant



Technical requirements

1. Rated Current: 0.1A MAX
2. Rated voltage: DC 12V
3. Contact resistance: $\leq 100\text{m}\Omega$
4. Insulation Resistance: $\geq 100\text{M}\Omega$
5. Compressive strength: AC110V 50Hz/1 min
6. Operating force: $80 \pm 50\text{gf}$ 2-205gf $\pm 50\text{gf}$
7. Mechanical life: 50,000 cycles Min
8. Operation Stroke: $1 + 0.2\text{mm}$
9. Temperature Range: $-10^\circ\text{C} \sim +60^\circ\text{C}$

TOLERANCE		东莞市恒祺电子科技有限公司				
		Dongguan Hengqi Electronic Technology Co., Ltd				
X. XXX ± 0.05 X. XX ± 0.15 X. X ± 0.20 X. ± 0.30 ANGLE $\pm 5.0^\circ$	https://www.hq-dz.com		phone: 15812872448			
	TITLE: 拨轮开关		PART NO: 成品图			
PROTECTON 	DRAWN:		DATE:	18-10-08	UNIT:	mm
	CHECKED:		DATE:	18-10-08	SCALE:	FULL
	APPROVED:		DATE:	18-10-08	SIZE:	A4