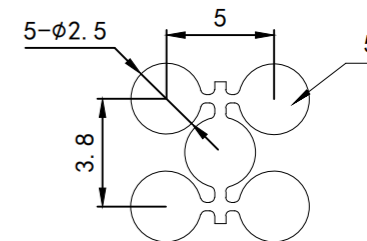
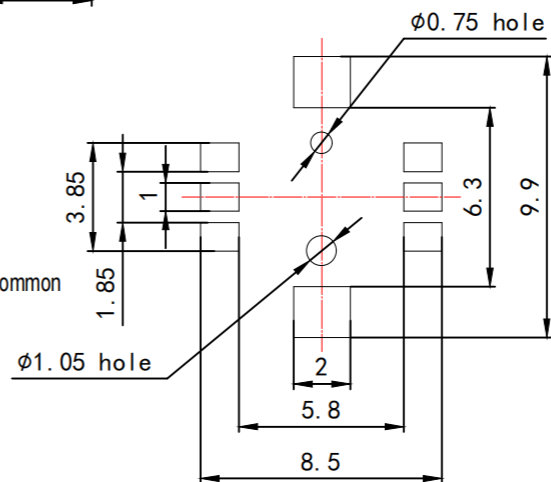
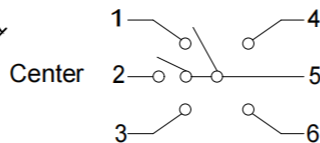
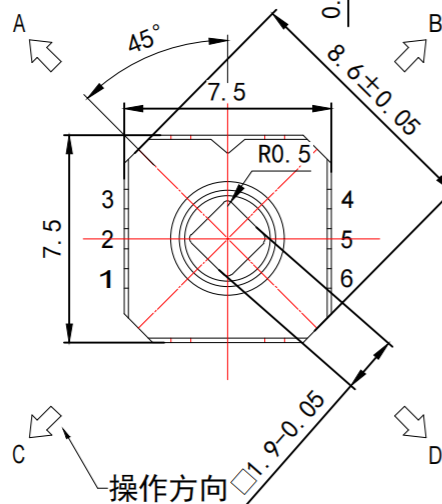
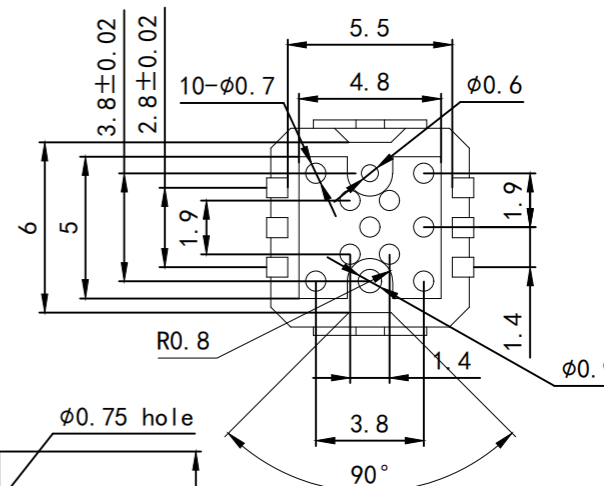
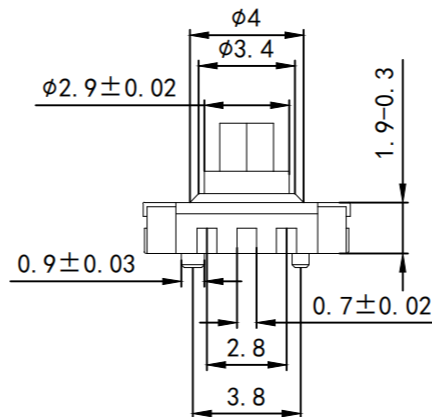
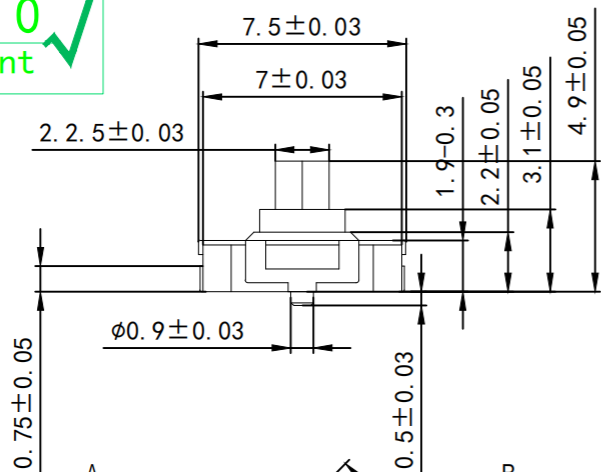


RoHS2.0
Compliant



Technical requirements

- Rated electric load: 0.1A DC12V
- Insulation resistance: $\geq 100M\Omega$
- Withstand voltage strength: AC100V (50/60HZ foy 1 minute)
- Electrical life: 100,000 cycles Min
- Ambient temperature: $-10^{\circ}C \sim +60^{\circ}C$
- Action force: $4-160gf \pm 20gf$ $240 \pm 20gf$

TOLERANCE

| | |
|--------|-------------------|
| X. XXX | ± 0.05 |
| X. XX | ± 0.15 |
| X. X | ± 0.20 |
| X. | ± 0.30 |
| ANGLE | $\pm 5.0^{\circ}$ |

PROTECTON



东莞市恒祺电子科技有限公司

Dongguan Hengqi Electronic Technology Co., Ltd

<https://www.hq-dz.com>

phone: 15812872448

TITLE:

多功能五向开关

PART NO: 成品图

DRAWING NO: HQ-A07-02

DRAWN:

DATE:

18-10-08

UNIT:
mm

CHECKED:

DATE:

18-10-08

SCALE:
FULL

APPROVED:

DATE:

18-10-08

SIZE:
A4