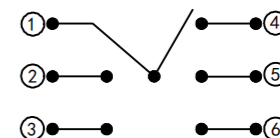
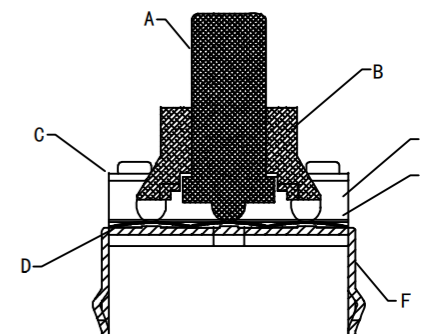
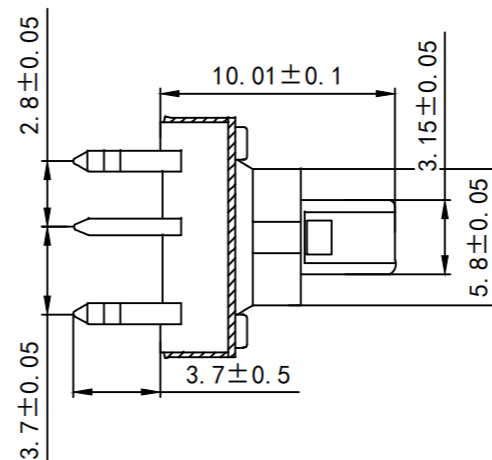
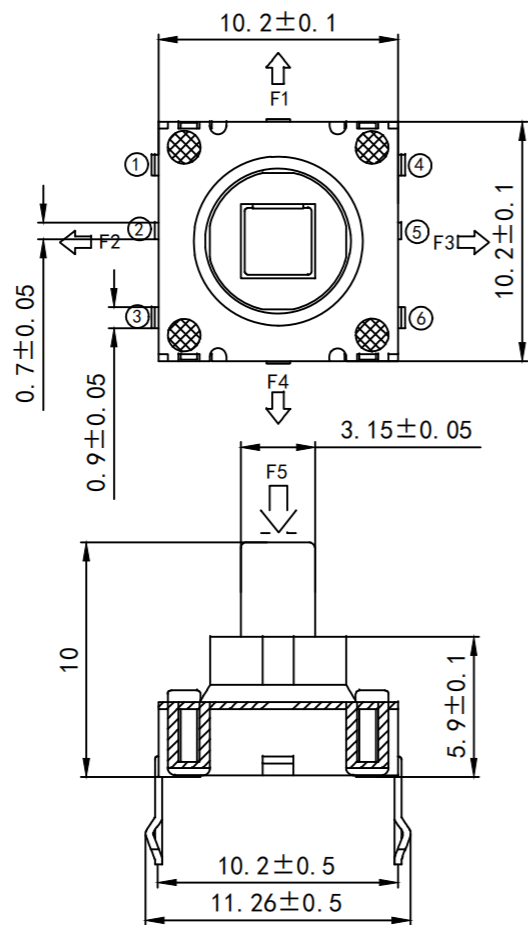


RoHS2.0
Compliant



	1	2	3	4	5	6
F1	○			○		
F2	○	○				
F3	○					○
F4	○			○		
F5	○		○			

Technical requirement

1. Rated current: 0.1A
2. Rated voltage: DC 12V
3. Contact resistance: $\leq 100\text{m}\Omega$
4. Insulation resistance: $\geq 100\text{M}\Omega$
5. Compressive strength: AC100V 50Hz/1 min
- 6 Operation force: $250 \pm 50\text{gf}$ 4- $150 \pm 50\text{gf}$
7. Mechanical life: 50000 cycles Min
8. Temperature range: -25°C TO $+70^\circ\text{C}$

TOLERANCE			东莞市恒祺电子科技有限公司 Dongguan Hengqi Electronic Technology Co., Ltd	
X. XXX	± 0.05		https://www.hq-dz.com phone:15812872448	
X. XX	± 0.15	TITLE: 多功能五向开关		
X. X	± 0.20	PART NO: 成品图		
X.	± 0.30	DRAWING NO: HQ-A07-12		
ANGLE	$\pm 5.0^\circ$	DRAWN: _____		
PROTECTON 	CHECKED: _____		DATE: 18-10-08	UNIT: mm
	APPROVED: _____		DATE: 18-10-08	SCALE: FULL
			DATE: 18-10-08	SIZE: A4